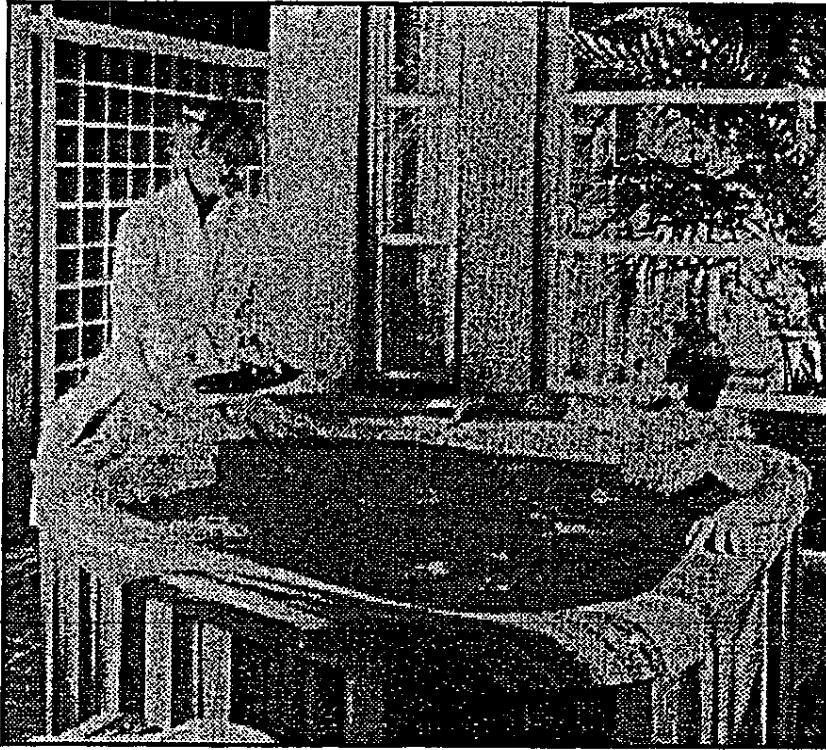


BEACHCOMBER



HOT TUB OWNERS MANUAL

*1988 to
1994 Models*



TABLE OF CONTENTS

Introduction	1
Important Safeguards	3
Installation and Location	4
Start-Up Procedures	5
Location and Operation of Features and Controls	6
Hot tub Maintenance	11
Trouble Shooting	12

INTRODUCTION

Thank you for purchasing this hot tub, manufactured in Canada by A.J. Leisure manufacturing.

This hot tub was built to the highest of industry standards and will give you many years of enjoyment, providing you follow the instructions set out in this manual.

Please read these instructions carefully and retain this manual for future reference.

NOTE: In some cases failure to follow these instructions may result in damage that will not be covered by your warranty, or may void the warranty entirely. Please consult your local dealer representative, and your warranty document for complete details.

North American Customer Care, Toll Free:
1-800-663-6557

Please read and follow all instructions in this manual. A thorough knowledge of the basic safety precautions, and proper maintenance procedures will provide years of safe and soothing enjoyment of your Hot Tub.

Permanent Hot Tub Installations:

Permanent Hot Tub Installations require special considerations and should be carefully planned with the help of your Professional Hot Tub Dealer.

Cautions:

Water temperature in excess of 40 degrees Celsius may pose a health risk.

Prolonged soaking in temperatures in excess of 40 degrees Celsius may cause drowsiness, fainting and may induce hypothermia. Hypothermia occurs when the internal temperature of the body reaches a level several degrees above the normal body temperature of 37 degrees Celsius. The symptoms include drowsiness, lethargy and increased internal body temperature.

- Effects:**
- unawareness of impending hazard
 - failure to perceive heat
 - failure to recognize the need to exit hot tub
 - physical inability to exit hot tub
 - fetal damage in pregnant women
 - unconsciousness and danger of drowning

WARNING:

Never use a hot tub under the influence of alcohol or drugs. Doing so can greatly increase the risk of hypothermia. Any persons with heart or circulatory conditions or using prescribed medicine should consult their physician before using a hot tub.

Basic Important Safeguards:

1. Read and follow all instructions.
2. The electrical connections to the power source shall be done by a qualified electrician, and in accordance with the Canadian Electrical Code Part 1.
3. Only copper conductors must be used.
4. A wire connector marked "ground" is provided within the control box. To reduce the risk of electrical shock, connect this terminal to the grounding terminal of the electrical service or supply panel with a continuous copper wire equivalent in size to the circuit conductors supplying this equipment.
5. At least two bonding lugs are provided on the exterior of the equipment pak and marked "bonding lugs". To reduce the risk of electrical shock, connect the bonding lugs in accordance with the Canadian Electrical Code Part 1. The bonding wire must be at least a No. 6 AWG (84 millimetre squared) solid copper wire.
6. All field-installed metal components such as grab rails, ladders, drains or other similar hardware within 3m of the hot tub shall be bonded to the equipment grounding bus with copper conductors not smaller than No. 6 AWG.
7. Do not wire 110V support systems into a circuit rated less than 20 amps. On 220V systems do not wire into a circuit rated less than 30 amps.
8. 110 volt systems should be wired with 12/3 wire directly into main panel box. 220 volt systems should be wired with 10/3 wire directly into main panel box. GFCI should be in the main panel box or in a sub panel.

support system must never be run without water flowing through the system.

10. Clean filter cartridge weekly. A dirty filter inhibits the water flow, thereby reducing the jet action, the efficiency of the heater, and could damage the pump seal.
11. Your hot tub water must be balanced to protect your hot tub pak and keep the Acrylic surface of your hot tub in an easy-to-maintain condition. Failure to do so could void the warranty. See your local Beachcomber/Purity Dealer for professional advice and to pick up a copy of Purity's book "Hot tubs Clean and Simple".

Installation:

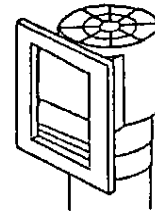
1. For the hot tub to operate properly and safely, it should be situated on a hard, flat surface, and level.
2. If hot tub and/or equipment is mounted below ground level, allow for sufficient water drainage around the hot tub to help preserve the wood skirting and keep water away from the hot tub pak.
3. If installing an in-deck model hot tub the foot-well and seating areas must be supported with 2x4 pony walls under seats and the foot-well resting on a flat surface or warranty could be voided.
4. Beachcomber Hot tubs are pressure tested for leaks at the factory. However, before doing a permanent installation such as cementing into the ground or installing in a room we recommend running the hot tub with water to ensure there are no leaks and all items are working correctly. See start up procedures.

Location:

When locating your hot tub outdoors, try to keep it close to your back door. This enables quicker access during the winter months. Electrical and safety regulations require that plugs, light switches and electrical panels must be a minimum 10 feet (3 meters) away from your hot tub.

Start Up Procedures and Use:

1. Turn off all electrical power to the equipment at the circuit breaker and check that all the switches on the pak control panel are in the off position. Close valves.
2. Check to see if all parts are in the skim filter (See Page 11).
3. Fill hot tub with water to recommended level, at least 2/3 way up opening of skim filter.
4. Open main suction valve to allow water to flow into the equipment (lower valve on the far right).
5. Check all plumbing connections for leaks, and hand tighten any union fittings if need be.
6. Switch the main breaker to the "on" position and switch GFCI to "on".
7. Move the pump switch to the "on" position to start pump. At the same time open the return valve (higher valve on the left).
8. Open air bleed knob(s) on hot tub pak to let out any air trapped in the system.
9. CAUTION: Do not adjust heater thermostat until a full flow of water is seen from the jets. Air trapped in the plumbing and heater housing would result in a heater "dry fire" causing immediate destruction of the heater housing.
10. Adjust the thermostat to the high setting. Once the desired temperature is reached on your hot tub thermometer, turn the thermostat knob back toward the medium setting until the heater indicator light goes out. The thermostat will then automatically maintain your desired temperature.



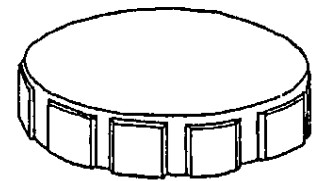
10. To drain your hot tub follow these steps:

1. Turn heater to the off position.
2. Turn pump to the off position.
3. Turn off GFCI Breaker at main panel.
4. Attach your garden hose to the hose bib fitting on the hot tub.
5. Open hose bib fitting and drain the water to the location of your choice. This is known as a gravity drain system and is the safest way to drain a hot tub. Should you require faster draining, a submersible sump pump can be used. These should be available at your local hot tub dealer or most hardware stores.

Hot Tub Features (Console)

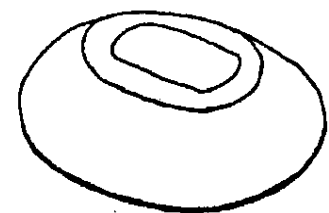
1. Air Injection Controls

Designed to silently inject air to the adjustable jets and/or options by simply turning to the on position when the pump is on high speed. When not using the hot tub, return the control to the off position. Air injection sequence as follows: far left for turbo seat, center for adjustable jets, far right for body or foot massager.



2. Power Activator

This feature is designed to activate the high speed on your pump, hot tub light and/or air blower, the latter two items optional. If your hot tub is equipped with any options the sequence of the activities are as follows. Far left one activates the pump high speed. The middle one will activate the hot tub light. The third one on the far right would activate the air blower if ordered.



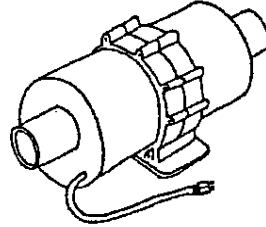
Hot Tub Features (Optional)

1. Hot tub Light

Your hot tub may come equipped with a hot tub light. This low voltage 12 volt system produces a bright white light, which makes entering the hot tub safer. Two mood setting, coloured, snap-on lenses are also included with this light.

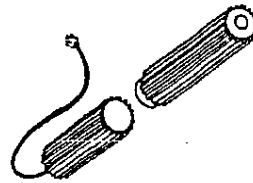
2. Blower

This option gives your hot tub a turbo injection of air through your hot tub's jets, increasing performance.



3. Ozone Generator

Ozone's practical use is as a water purifier. The ozone generator will introduce ozone into your hot tub automatically to help keep the hot tub water sparkling clean. Please note that ozone is not a substitute for chlorine or bromine sanitizers.

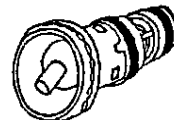


Hot Tub Features (Hot tub Interior)

Your hot tub will come with a standard jet pattern unless ordered otherwise. The water flow can be regulated at each jet by turning the outer face of the jet.

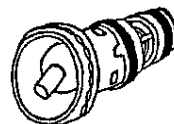
1. Adjustable Jets

The deluxe adjustable can be adjusted by aiming the swivel ball nozzle in the desired direction.



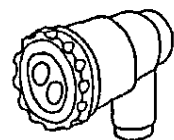
2. Roto Jets

The deluxe roto gives a clockwise or counterclockwise massage by adjusting the swivel ball nozzle.



3. Pulsator Jet

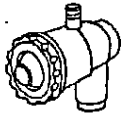
This double holed rotating jet gives a soothing pulsating massage.



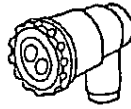
4. Micro Jets / Accujets or Neckjets

Your tub may also include microjets, accujets or neckjets.

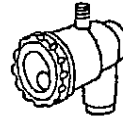
ADJUSTABLE



PULSATOR

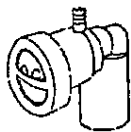


WHIRLY

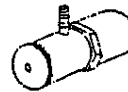


The mini jets, adjustable, pulsator and whirly, are all similar to the larger jets giving a variety of different massages for your relaxation.

PULSATING ACCUJETS

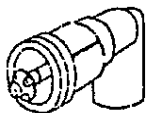


ACCUJETS



The pulsating accujet is also similar to the larger pulsating jets. These small cluster jets pulsate rapidly, giving a relaxing massage. The accujet gives a straight powerful massage.

NECKJET



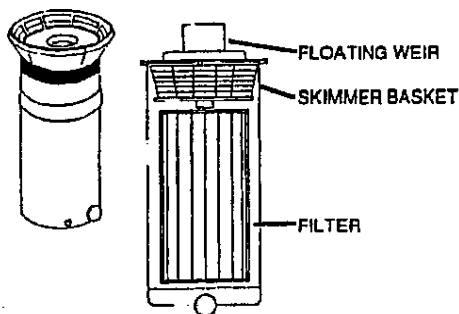
The neckjet is an out-of-water jet that gives a soothing massage to your neck for the ultimate in relaxation. To operate, simply pull the inner nozzle and move to the desired position. To turn off simply push the nozzle back in.

Your hot tub is equipped with the latest state-of-the-art filtration system. This oversized filtration system comes with a built-in vacuum system and a basket to catch hair or any other debris that may enter the hot tub. With the filters being located in the skimmer it allows the user to easily remove the filter elements for cleaning while the hot tub is running on low speed.

SKIM FILTERS

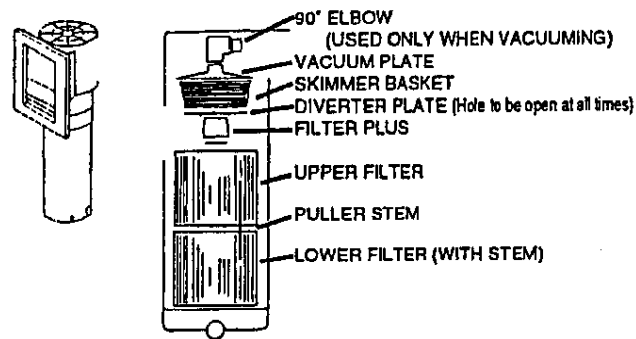
TOP LOAD

THE TOP LOAD FILTRATION SYSTEM
ORDER SEQUENCE OF THE SKIM
FILTERS INTERNAL COMPONENTS



FRONT LOAD

THE UP FRONT FILTRATION SYSTEM
ORDER SEQUENCE OF THE SKIM
FILTERS INTERNAL COMPONENTS



NOTE: When using the vac plate follow these steps: (Front-load Only)

1. Turn off heater.
2. Put vac plate and elbow in filter.
3. Submerge appropriate length of 1/4 vac hose (available at your dealer) and attach to vac elbow.
4. Vacuum debris from bottom of hot tub.

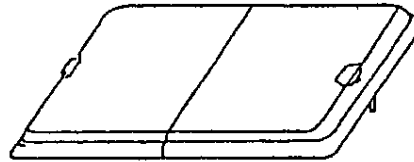
6. Safety Suction

Your hot tub has been equipped with a safety suction fitting to provide adequate water flow to your hot tub pak in the event of the skim filter becoming plugged. During high speed operation the suction fitting draws approximately 30% of the water flow while the other 70% is drawn through the skim filter.

Hot Tub Features (Hot Tub Exterior)

1. Heat Shield Cover

Your hot tub heat-shield cover should be cleaned regularly with "Cover All" available at your local Beachcomber/Purity dealer.



Heat Shield Cover

This will help guard against the sun's damaging ultra violet rays and aid in the prevention of mildew stains. A periodic treatment of silicone spray is also recommended for outdoor covers to help in the repulsion of rain water. We also recommend removing the cover inserts to allow them to air out approximately every six months. In areas prone to heavy snow fall, do not allow snow to build up on the cover.

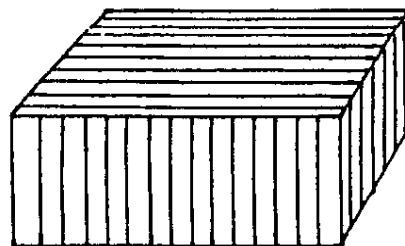
NOTE: when adding more than daily disinfectant amounts (i.e. shock treating) leave the hot tub cover off or half open for 1/2 hour. Failure to do so could damage the under side of your cover.

2. Cedar Cabinet

*The cedar cabinet on your hot tub has been treated with a high quality stain at the factory. To keep the cedar looking good we recommend re-oiling the skirt twice a year with Nu Wood Treatment available at your local Beachcomber /Purity dealer.

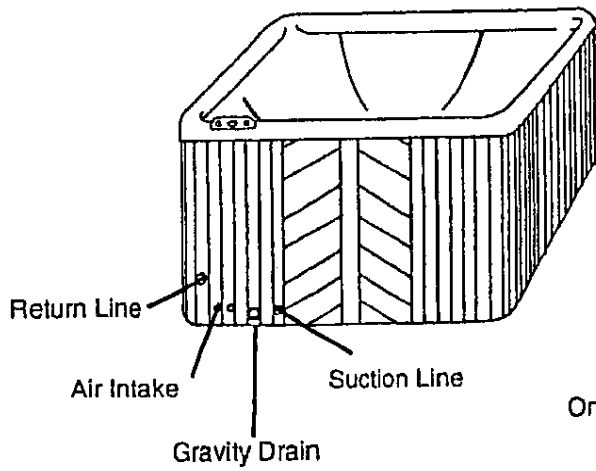
3. Cedar Equipment/Step Cover (Optional)

This is designed for two purposes. One is to cover your hot tub pak and protect it from the elements of nature. The other is to act as a step for getting in and out of the hot tub. It is built strong enough to support the weight of two average adults. To maintain its good looks it should be treated the same as the cedar cabinet.

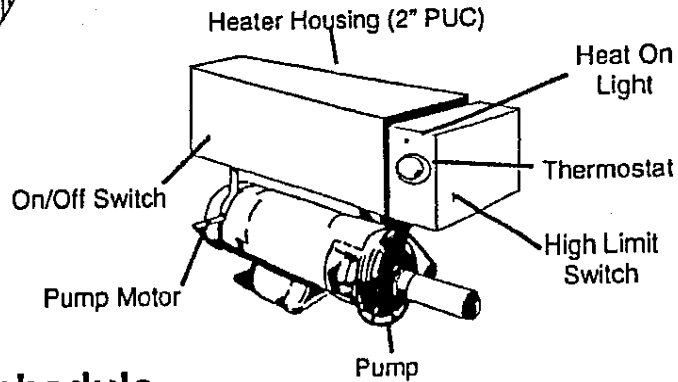


Equipment/Step Cover

*Your cedar cabinet is hand crafted at the Beachcomber Factory from the best available Western Red Cedar.



MECHANICAL SPA PAK



Hot Tub Maintenance Schedule

1. Daily A: Check pH and disinfectant level
2. Weekly A: Check water level and fill to necessary level
 B: Check and clean skimmer basket
 C: Wipe down water scum line, if present
 D: Remove filters and rinse with garden hose.
3. Monthly A: Soak filter cartridges at least 24 hours in a solution of filter pure or cure (available at your local Beachcomber/Purity dealer) and water. Then remove and rinse thoroughly with garden hose.
4. Every One to Three Months A: Drain hot tub and wipe down inside surface of hot tub with tub clean (available at your local Beachcomber/Purity dealer) then wipe down with a clean sponge.
 B: Refill hot tub with water, refer to start-up instructions. Take a water sample into your local Beachcomber/Purity dealer to be tested. This is when your water must be re-balanced to ensure crystal clear water and to protect your investment.

TROUBLE SHOOTING

SYMPTOM

SOLUTION

Hot Tub Pak does not operate

- check breaker or GFCI in main circuit panel is in "on" position
- call for service if GFCI keeps tripping

Hot Tub Pak does not pump on low speed

- check valves are completely open
- pump switch is in "on" position
- inspect filters for dirt and debris
- check for blockages or restrictions at suction and skimmer
- open air bleed knob(s) to bleed any air.

Pump will not switch to high speed

- check to see if clear 1/4" plastic air line is plugged on to the hot tub pak
- check if 1/4" line is pinched, or has water in it
- check above items in no low speed section

No heat or inconsistent heating

- remove filters if heater indicator light comes on, clean filters and return them to skimmer
- remove filters and return pump to high speed. If heater light comes on, pressure switch needs adjustment, therefore refer to hot tub pak manual. If heater indicator light still does not come on, call for service check.
- check high limit switch, reset if out
- check temperature dial is turned on
- check if pump is on and running smoothly

SYMPTOM**SOLUTION**

Decreased jet
action

- check filters and clean if necessary
- check for blockages or restrictions at suction and upfront skimmer

Hot tub light does
not work

- check light bulb is tight in socket
- check if light bulb is burnt out, replace if necessary
- check if 1/4" clear plastic air line is connected to the hot tub light transformer box
- check if air line is pinched

Cloudy water

- check filter parts for parts missing or not properly installed
- sanitizer level is low, or poor water chemistry, take a sample to your local Beachcomber/Purity dealer
- dirty filters, remove and clean with Purity's Filter Pure or Filter Cure.



BEACHCOMBER

AUTHORIZED DEALER

These symbols on the product's nameplate designates a listing by the Canadian Standards Association for the public's protection.



REVISED 04/10/96
PRINTED IN CANADA